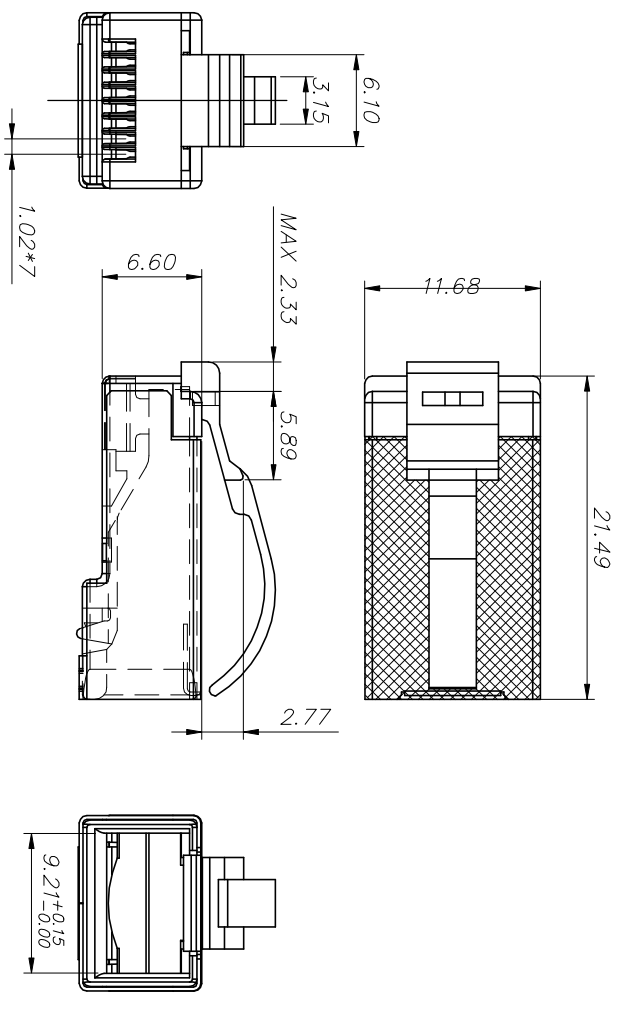
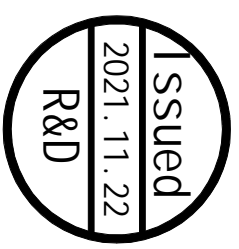
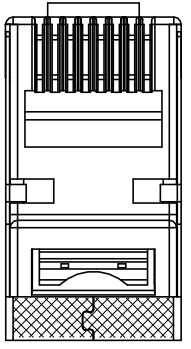


REV	DATE	MODIFICATION	DRAWN
A	2018/07/20		



- SPECIFICATIONS**
- 1. ELECTRICAL:**
 UL APPLICATIONS: 250 VOLTS AC MAX. AT 2 AMPS.
 DIELECTRIC WITHSTANDING VOLTAGE : 1000 VOLTS AC. 60 SEC.
 INSULATION RESISTANCE: 500 MΩ.
 CONTACT RESISTANCE: 20mΩ MAX.
 OPERATING AMBIENT TEMPERATURE: -40°C - 70°C.
- 2. MECHANICAL:**
 STRAIN RELIEF: 20POUND MIN.
 DURABILITY: 1200 MATING CYCLES.
- 3. MATERIAL:**
 HOUSING: POLYCARBONATE, UL94V-0 OR UL94V-2.
 COLOR: TRANSPARENT OR OTHER COLOR ARE AVAILABLE.
 CONTACT BLADE: COPPER ALLOY.
 GOLD PLATING: 3u"-50u"; ARE AVAILABLE.
 SHIELDED SHELL: COPPER NICKEL ALLOY.
- 4. USAGE:**
 SUITABLE FOR STRANDED & SOLID WIRE 23AWG ~ 26 AWG.



BLADE:	E	EB	Y	YB	Z	A	AE	AB
Drawing								
Mark					✓			
GOLD PLATING	3Mu"	3u"	6u"	15u"	30u"	50u"		
Mark					✓			
CABLE TYPE						ROUND		
Mark						FLAT		

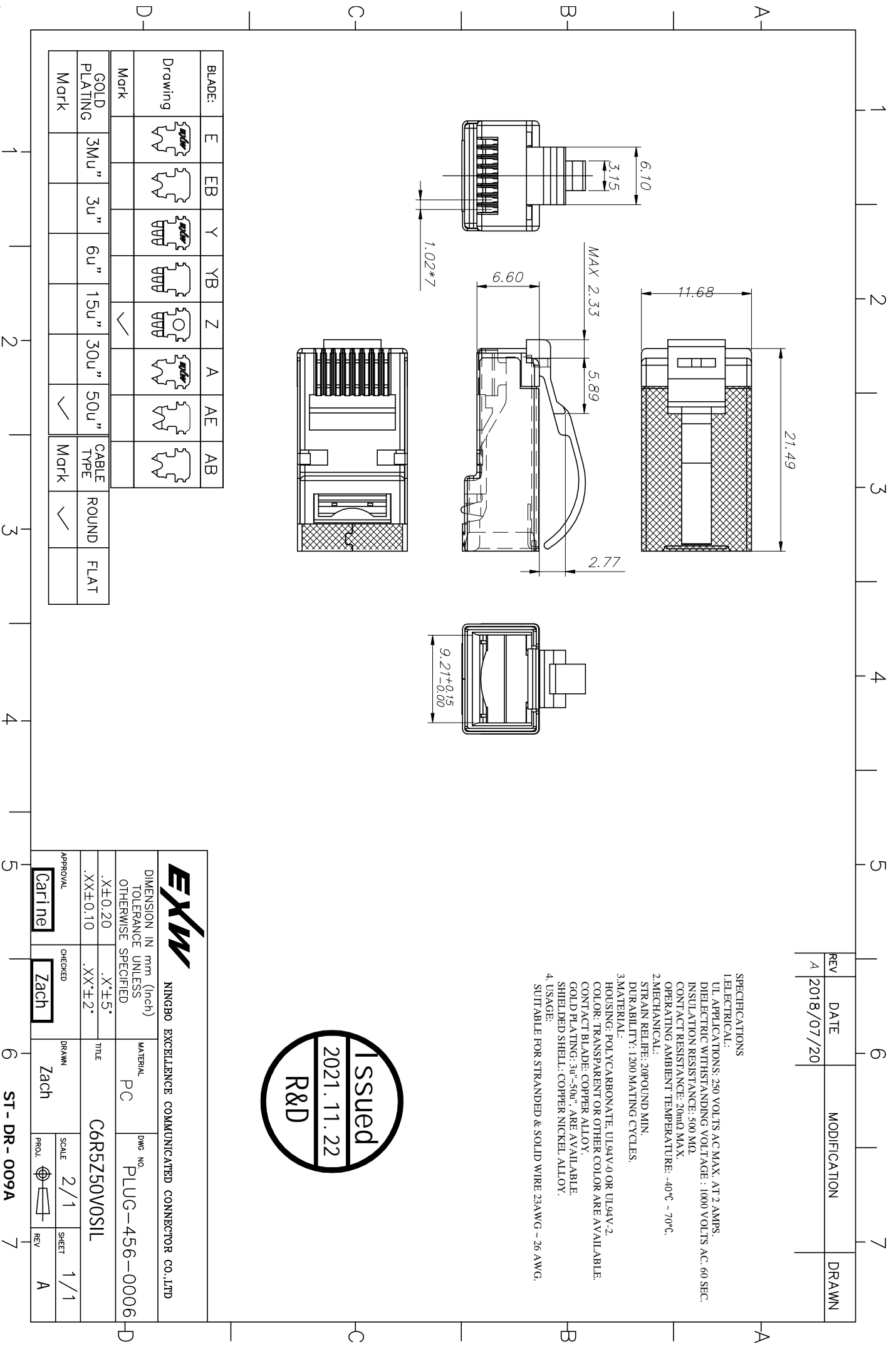
EXW NINGBO EXCELLENCE COMMUNICATED CONNECTOR CO.,LTD

DIMENSION IN mm (Inch)
 TOLERANCE UNLESS OTHERWISE SPECIFIED

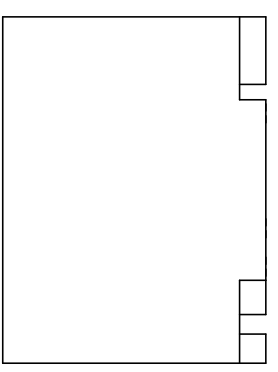
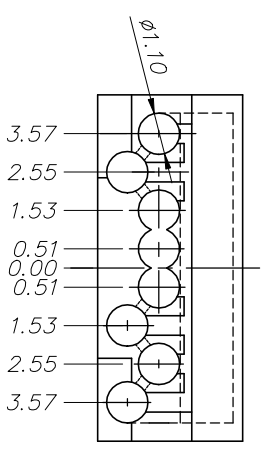
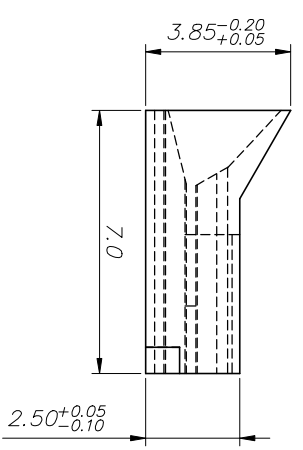
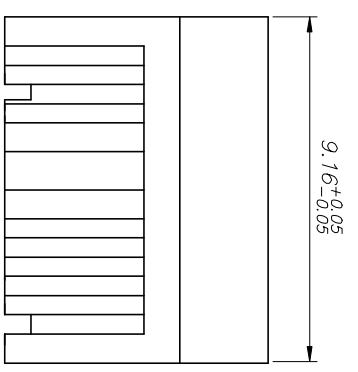
.X±0.20	.X±.5°	MATERIAL	DWG NO.
.XX±0.10	.XX±.2°	PC	PLUG-456-0006

TITLE: C6R5Z50V0SIL

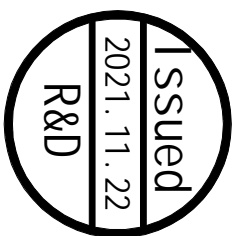
APPROVAL	Cari ne	CHECKED	Zach	DRAWN	Zach	SCALE	2/1	SHEET	1/1
						PROL.		REV	A



REV	DATE	MODIFICATION	DRAWN
	2017/02/16		



(It can be used for the wire OD from $\varnothing 0.98 \sim \varnothing 1.05$)



EXW		NINGBO EXCELLENCE COMMUNICATED CONNECTOR CO.,LTD	
DIMENSION IN mm (Inch)		MATERIAL	
TOLERANCE UNLESS OTHERWISE SPECIFIED		PC	
.X ± 0.20	.X $\pm 5^\circ$	DWG NO. PLUG INSERT-433A	
.XX ± 0.10	.XX $\pm 2^\circ$	TITLE	
APPROVAL		DRAWN	
		Zach	
CHECKED		SCALE	
		5/1	
DRAWN		SHEET	
Zach		1/1	
PREL.		REV	
		A	

1 2 3 4 5 6 7

A B C D

1 2 3 4 5 6 7

ST - DR - 009A