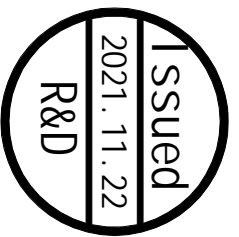
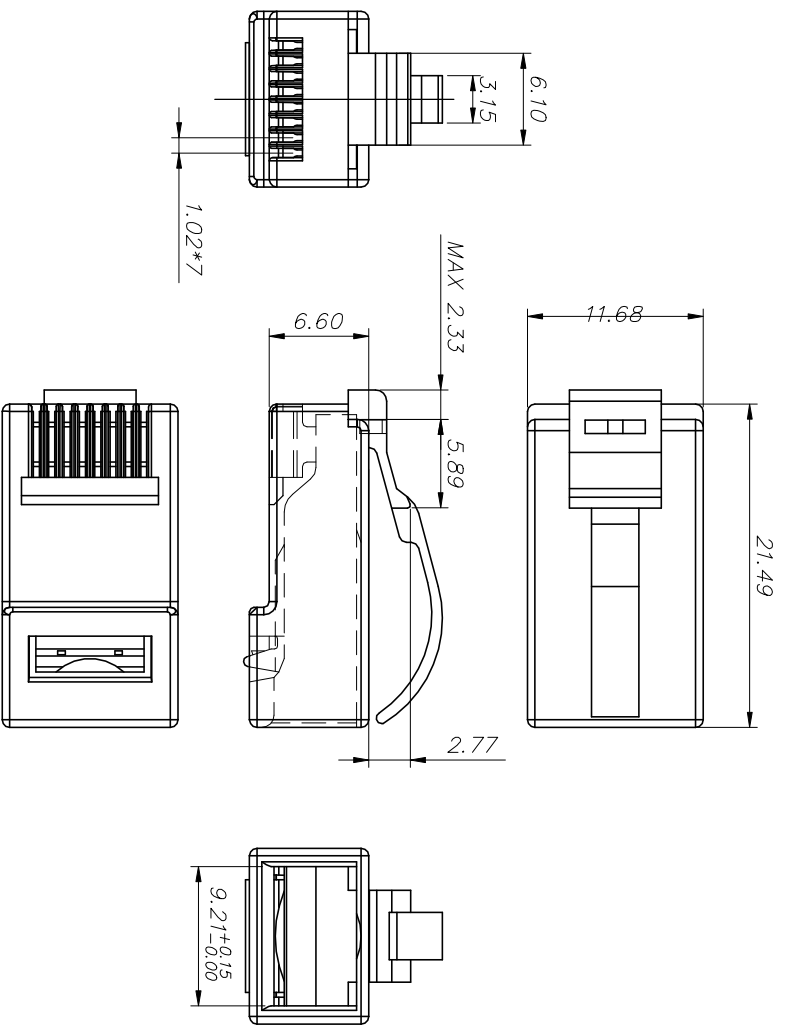


REV	DATE	MODIFICATION	DRAWN
A	2018/06/25		

**SPECIFICATIONS**

- 1.ELECTRICAL:  
UL APPLICATIONS: 250 VOLTS AC MAX. AT 2 AMPS.  
DIELECTRIC WITHSTANDING VOLTAGE: 1000 VOLTS AC. 60 SEC.  
INSULATION RESISTANCE: 500 MΩ.  
CONTACT RESISTANCE: 20mΩ MAX.  
OPERATING AMBIENT TEMPERATURE: -40°C ~ 70°C.
- 2.MECHANICAL:  
STRAIN RELIEF: 20POUND MIN.  
DURABILITY: 1200 MATING CYCLES.
- 3.MATERIAL:  
HOUSING: POLYCARBONATE, UL94V-0 OR UL94V-2.  
COLOR: TRANSPARENT OR OTHER COLOR ARE AVAILABLE.  
CONTACT BLADE: COPPER ALLOY.  
GOLD PLATING: 3u"-50u", ARE AVAILABLE.
- 4. USAGE:  
SUITABLE FOR STRANDED & SOLID WIRE 23AWG ~ 26 AWG.



BLADE:	E	EB	Y	YB	Z	A	AE	AB
Drawing								
Mark					✓			

GOLD PLATING	3Mu"	3u"	6u"	15u"	30u"	50u"	CABLE TYPE	ROUND	FLAT
Mark					✓		Mark	✓	

<b>EXW</b>		NINGBO EXCELLENCE COMMUNICATED CONNECTOR CO.,LTD	
DIMENSION IN mm (Inch)		MATERIAL	DWG NO.
TOLERANCE UNLESS OTHERWISE SPECIFIED		PC	PLUG-458-0001
.X±0.20	.X±.5°		
.XX±0.10	.XX±.2°		
APPROVAL	CHECKED	DRAWN	SCALE
<b>Carine</b>	<b>Zach</b>	<b>Zach</b>	2/1
			PROL.
			REV
			A

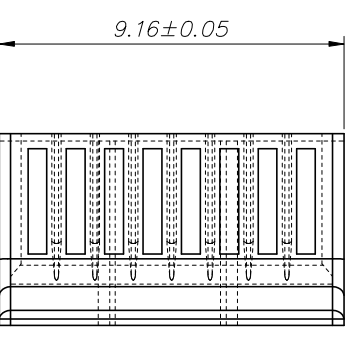
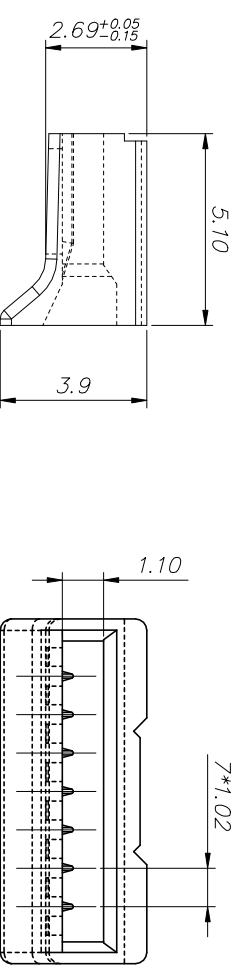
1 2 3 4 5 6 7

A B C D

1 2 3 4 5 6 7





ST - DR - 009A

REV	DATE	MODIFICATION	DRAWN
	2013/11/06		



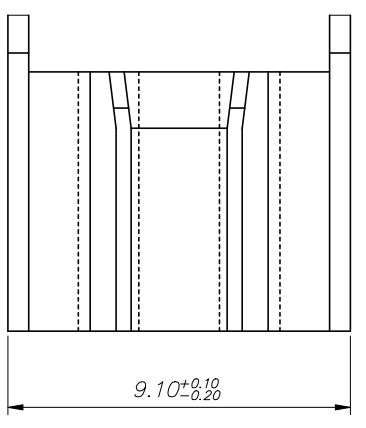
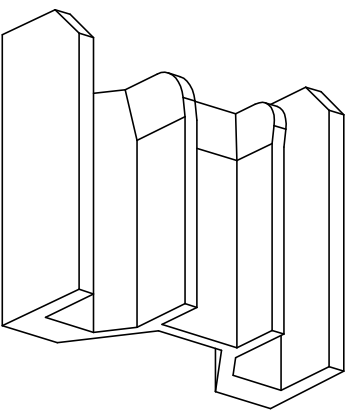
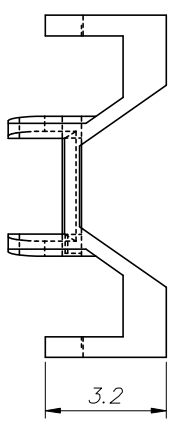
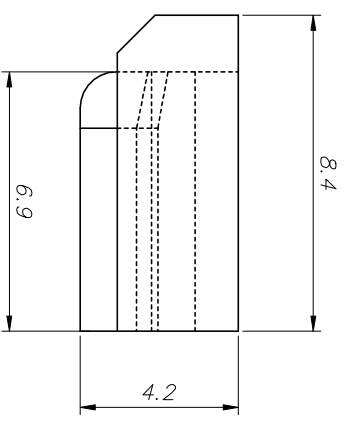
**Issued**  
 2021.11.22  
**R&D**

(It can be used for the wire OD from  $\varnothing 0.96 \sim \varnothing 1.02$ )

 NINGBO EXCELLENCE COMMUNICATED CONNECTOR CO.,LTD		DIMENSION IN mm (Inch)	MATERIAL	DWG NO.
		TOLERANCE UNLESS OTHERWISE SPECIFIED	PC	PLUG INSERT-377
X±0.20	X*±5°	TITLE	3R INSERT 1.1	
.XX±0.10	.XX*±2°	DRAWN	SCALE	SHEET
APPROVAL 	CHECKED 	Zach	5/1	1/1
			PRJL.	REV
				A

ST - DR - 009A

REV	DATE	MODIFICATION	DRAWN
	2013/11/06		



Issued  
 2021.11.22  
 R&D

<b>EXW</b>		NINGBO EXCELLENCE COMMUNICATED CONNECTOR CO.,LTD	
DIMENSION IN mm (Inch) TOLERANCE UNLESS OTHERWISE SPECIFIED		MATERIAL	DWG NO.
X±0.20	.X°±5°	PC	PLUG INSERT-378
.XX±0.10	.XX°±2°	TITLE	3R INSERT
APPROVAL	CHECKED	DRAWN	SCALE
<b>Carline</b>	<b>Zach</b>	Zach	5/1
		PRDL	SHEET
			1/1
		REV	A

ST - DR - 009A