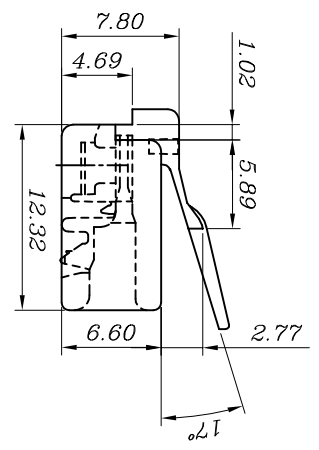
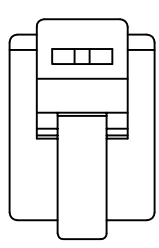
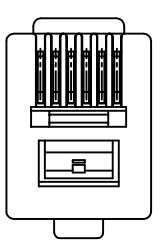
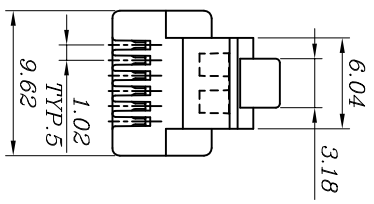


更改日期	设计内容	修改
REV DATE	MODIFICATION	DRAWN
2014/12/26		



Round

Flat



**SPECIFICATIONS**  
**1. ELECTRICAL:**  
 UL APPLICATIONS: 250 VOLTS AC MAX., AT 2 AMPS.  
 DIELECTRIC WITHSTANDING VOLTAGE: 1000 VOLTS AC.  
 WITHSTAND VOLTAGE TIME: 60S.  
 INSULATION RESISTANCE: 100 MΩ.  
 TERMINATION: RESISTANCE 20m Ω MAX AFTER ENVIRONMENTAL TESTING.  
**2. MECHANICAL:**  
 CABLE-TO-PLUG TENSILE STRENGTH: 20ROUND MIN.  
 DURABILITY: 200 MATING CYCLES.  
**3. MATERIAL & FINISH:**  
 HOUSING: POLYCARBONATE, UL94V-0 OR UL94V-2.  
 CONTACT BLADE: COPPER ALLOY.  
 CONDUCTOR: STRANDED & SOLID WIRE, 24AWG, 26 AWG.  
 (It can be used for the wire OD from 0.96-Ø1.02)  
 GOLD PLATING: 3u"~50u" ARE AVAILABLE.

**规范**

**1. 电器:**

UL应用最大250VOLTS AC.

介质耐电压伏特数:1000VOLTS AC.

耐压时间:60S.

绝缘阻抗:100百万欧姆.

终端阻抗:在环境测试后最大可承受20微欧姆终端阻抗.

**2. 机械**

拉力测试:至少20磅.

耐力测试:至少200次之插拔测试.

**3. 材质表面处理**

塑胶壳:聚碳酸酯,UL-94V-0 or UL94V-2.

颜色:透明 或者其他颜色亦可.

金片:铜合金.

导体:多股线&单股线,24AWG,26AWG.

(芯线直径: Ø0.96-Ø1.02均可适用)

镀金厚度:3u"~50u",皆可提供.

**客户用产品图**

BLADE:	E	EB	Y	YB	Z	A	AE	AB	EC	AL	ZL	YBL
Drawing												
Mark	✓											

GOLD PLATING	3Mu"	3u"	6u"	15u"	30u"	50u"	CABLE TYPE	ROUND	FLAT
Mark						✓	Mark		✓



**宁波卓新通讯连接器有限公司**  
 NINGBO EXCELLENCE COMMUNICATED CONNECTOR CO.,LTD

DIMENSION IN mm (Inch)	材 质	图 号
TOLERANCE UNLESS OTHERWISE SPECIFIED	MATERIAL	DWG NO.
.X±0.20	PC	PLUG-006-0004
.XX±0.10	名称	P66FE50V2
.XX°±2°	TITLE	

审核	核对	制图	比例	张数
Approval	CHECKED	DRAWN	SCALE	SHEET
吴明	钟均江	Cathyli	2/1	1/1
			角法	更改
			PROJ.	REV
				A

ST-DR-009A