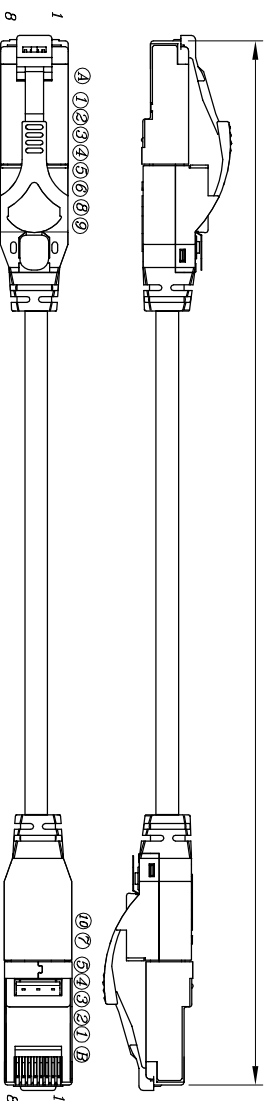


宁波卓新通讯插件有限公司
NINGBO EXCELLENCE COMMUNICATED CONNECTOR CO.,LTD

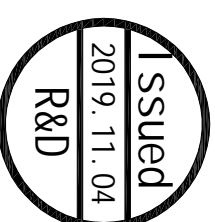
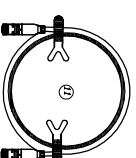


A/B/C

PLUG:

Drawing Mark						
GOLD PLATING Mark	3Mu"	3u"	6u"	15u"	30u"	50u"
TYPE Mark	Shielded	Unshielded				
PC Mark	UL 94-V0	UL 94-V2				

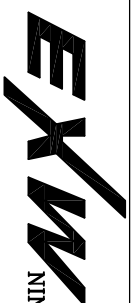
ARRANGE METHOD:



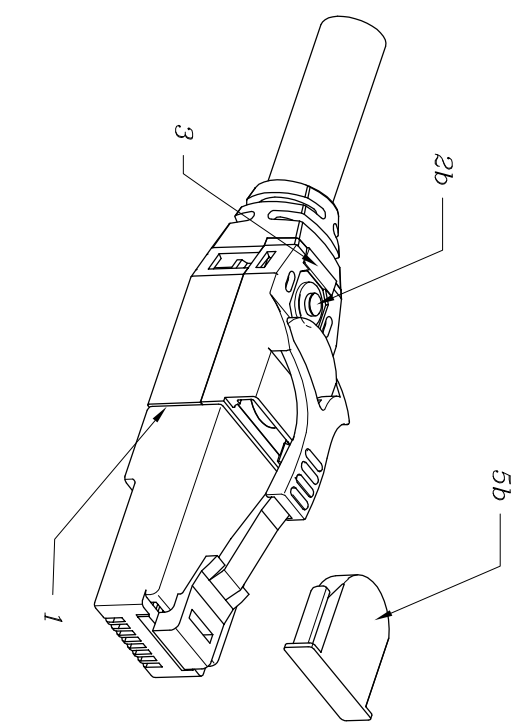
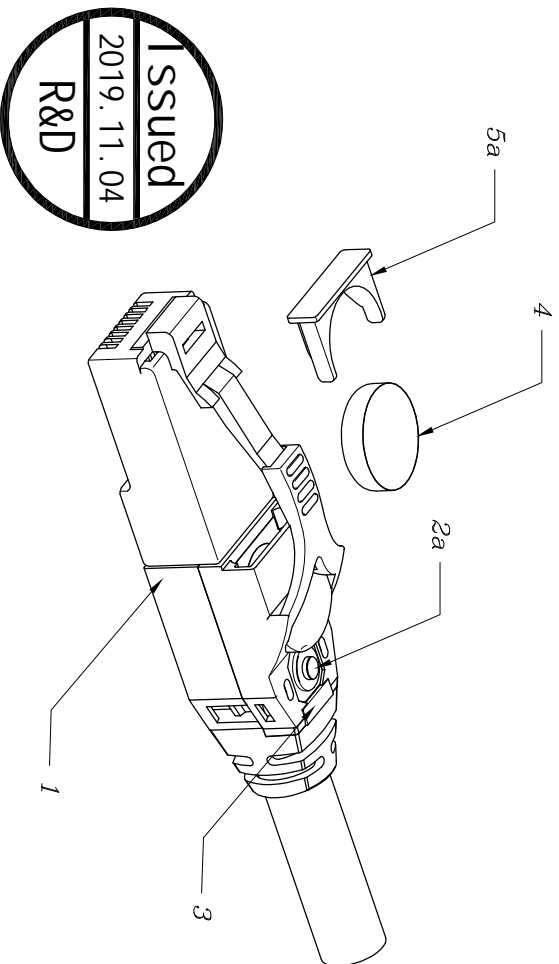
Remarks:

- I. "A" indicate Length 1~10M(10M not included), tolerance +80 -0
- II. "B" indicate Length 10~20M(20M included), tolerance +150 -0
- III. "C" indicate Length above 20M(20M not included), tolerance +(C*1%)/-0

ITEM	DESCRIPTION	MATERIAL	COLOR	QTY	ITEM	DESCRIPTION	MATERIAL	COLOR	QTY	UNIT	DWG. NO.																																																			
①	PLUG HOUSING	C6RH5Z50V2L-3R	transparent	2	⑧	BATTERY	CR927	/	1		P60UTB152-001																																																			
②	Insert	3R 11.1 V2	transparent	2	⑨	BATTERY COVER	PC UL 94-V2 01-150	transparent	1																																																					
③	Cross Insert	3R V2	transparent	2	⑩	FULL COVER	PC UL 94-V2 01-150	transparent	1																																																					
④	Boot	Top cover V2 01-151	transparent	2	⑪	Cable Tie	"C"MM	white	2																																																					
⑤	Boot	Bottom cover Ø6.5 V2 01-152	transparent	2	⑫																																																									
⑥	PCB	EV06FT-REVL Red button	red light	1	⑬																																																									
⑦	PCB	EV06FT-REVL Black button	red light	1	⑭																																																									
<table border="1"> <thead> <tr> <th colspan="10">WIRE CONNECTION TABLE</th> </tr> <tr> <th colspan="2">MATERIAL</th> <th>white / orange</th> <th>orange</th> <th>white / green</th> <th>green</th> <th>white / blue</th> <th>blue</th> <th>white / green</th> <th>green</th> <th>white / brown</th> <th>brown</th> <th>red</th> <th>green</th> </tr> </thead> <tbody> <tr> <td rowspan="2">CAT 6 UTP (4P*24AWG+2C*30AWG)</td> <td>PVC</td> <td>A1</td> <td>A2</td> <td>A3</td> <td>A4</td> <td>A5</td> <td>A6</td> <td>A7</td> <td>A8</td> <td>PCB board</td> <td>PCB board</td> <td>PCB board</td> <td>PCB board</td> </tr> <tr> <td>LSOH</td> <td>B1</td> <td>B2</td> <td>B3</td> <td>B4</td> <td>B5</td> <td>B6</td> <td>B7</td> <td>B8</td> <td>PCB board</td> <td>PCB board</td> <td>PCB board</td> <td>PCB board</td> </tr> </tbody> </table>												WIRE CONNECTION TABLE										MATERIAL		white / orange	orange	white / green	green	white / blue	blue	white / green	green	white / brown	brown	red	green	CAT 6 UTP (4P*24AWG+2C*30AWG)	PVC	A1	A2	A3	A4	A5	A6	A7	A8	PCB board	PCB board	PCB board	PCB board	LSOH	B1	B2	B3	B4	B5	B6	B7	B8	PCB board	PCB board	PCB board	PCB board
WIRE CONNECTION TABLE																																																														
MATERIAL		white / orange	orange	white / green	green	white / blue	blue	white / green	green	white / brown		brown	red	green																																																
CAT 6 UTP (4P*24AWG+2C*30AWG)	PVC	A1	A2	A3	A4	A5	A6	A7	A8	PCB board	PCB board	PCB board	PCB board																																																	
	LSOH	B1	B2	B3	B4	B5	B6	B7	B8	PCB board	PCB board	PCB board	PCB board																																																	
CABLE COLOR		red	orange	yellow	green	blue	purple	gray	white	black																																																				
LENGTH		TOTAL		MOLD NO.		UNIT		SCALE		SHEET																																																				
(A/B/C+80)*[25(0)]*[25(0)]				02-151		mm		1/1		1/1																																																				
DRAWN DATE		CHECKED		PROJ.		REV.		DRAWN																																																						
2019/05/09						1		CathylLi																																																						
APPROVAL																																																														



宁波卓新通讯插件有限公司
NINGBO EXCELLENCE COMMUNICATED CONNECTOR CO.,LTD



Issued
2019. 11. 04
R&D

NO.	Part Name	Material		DWG NO.	ASSEMBLY.SR-482-1				
1	PLUG HOUSING	PC UL 94-V2/50" gold plating		TITLE	CAT.6 UTP TRACEABLE PATCH CORD				
2a	BUTTON	Red button	>1000 button press	UNIT	mm	SCALE	3/2	SHEET	1/1
2b	BUTTON	Black button	>1000 button press	DRAWN DATE	2019/05/09	PROJ.		REV	1
3	LED	Red light		APPROVAL		CHECKED		DRAWN	Ma
4	BATTERY	CR927 Lithium battery cell	>500 hours LED lighting						
5a	BATTERY COVER	PC UL 94-V2							
5b	FULL COVER	PC UL 94-V2							