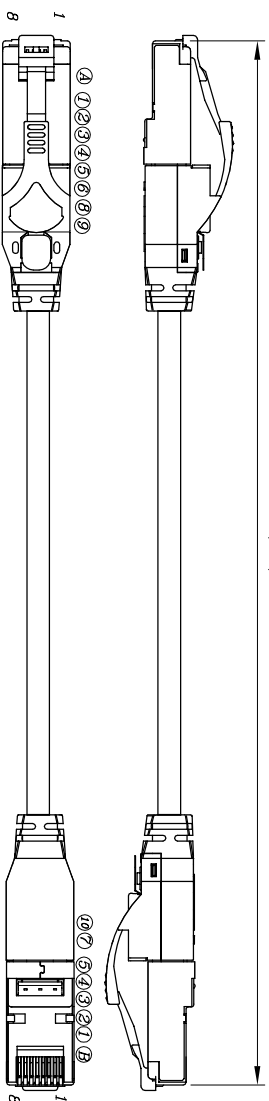


宁波卓新通讯插件有限公司  
NINGBO EXCELLENCE COMMUNICATED CONNECTOR CO.,LTD

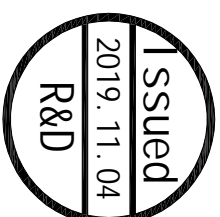
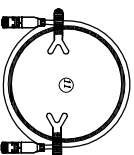


A/B/C

PLUG:

Drawing Mark						
GOLD PLATING Mark	3Mu"	3u"	6u"	15u"	30u"	50u"
TYPE Mark	Shielded	Unshielded				
PC Mark	UL 94-V0	UL 94-V2				

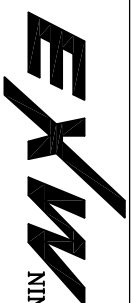
ARRANGE METHOD:



Remarks:

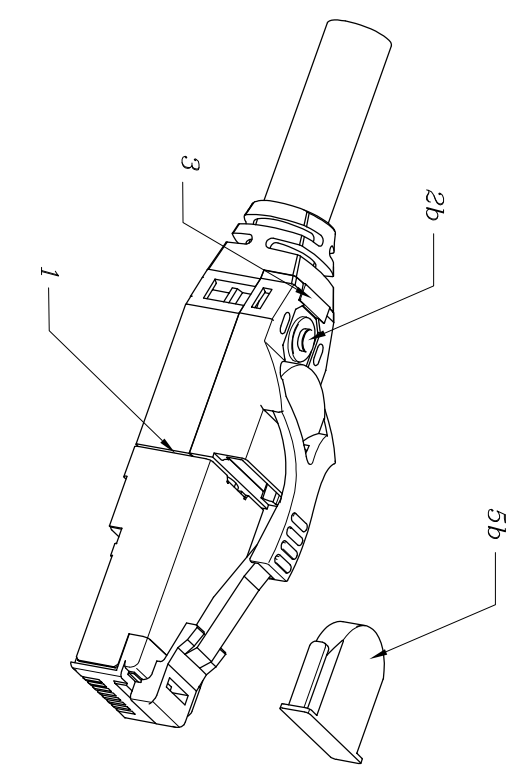
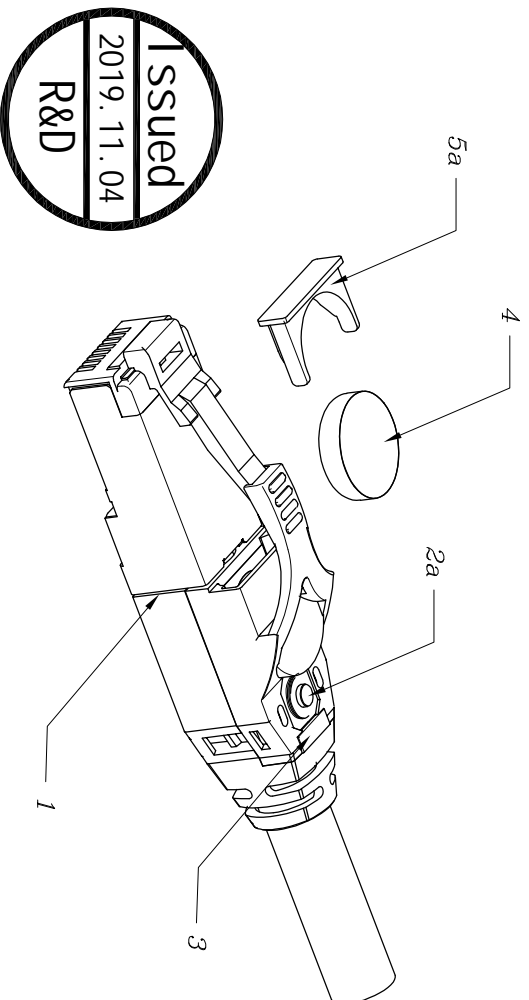
- I. "A" indicate Length 1~10M(10M not included), tolerance +80 -0
- II. "B" indicate Length 10~20M(20M included), tolerance +150 -0
- III. "C" indicate Length above 20M(20M not included), tolerance +(C\*1%)/-0

ITEM	DESCRIPTION	MATERIAL	COLOR	QTY	ITEM	DESCRIPTION	MATERIAL	COLOR	QTY	DWG NO.																																																																								
①	PLUG HOUSING	C6R5Z50V2SIL-3R	transparent	2	⑧	BATTERY	CR927	/	1	P6ASSTB152-001																																																																								
②	Insert	3R 11.1 V2	transparent	2	⑨	BATTERY COVER	PC UL 94-V2 01-150	transparent	1																																																																									
③	Cross Insert	3R V2	transparent	2	⑩	FULL COVER	PC UL 94-V2 01-150	transparent	1																																																																									
④	Boot	Top cover V2 01-151	transparent	2	⑪	Cable Tie	"C"MM	white	2																																																																									
⑤	Boot	Bottom cover Ø6.5 V2 01-152	transparent	2	⑫																																																																													
⑥	PCB	EV06FT-REVL Red button	red light	1	⑬																																																																													
⑦	PCB	EV06FT-REVL Black button	red light	1	⑭																																																																													
<table border="1"> <thead> <tr> <th colspan="8">MATERIAL</th> <th colspan="8">WIRE CONNECTION TABLE</th> </tr> <tr> <th colspan="4">CAT.6A SSTP (4P*26AWG+ 2C*30AWG)</th> <th>white / orange</th> <th>orange</th> <th>white / green</th> <th>green</th> <th>white / blue</th> <th>blue</th> <th>white / blue</th> <th>blue</th> <th>white / green</th> <th>green</th> <th>white / brown</th> <th>brown</th> <th>red</th> <th>green</th> </tr> </thead> <tbody> <tr> <td colspan="4"></td> <td>A1</td> <td>A2</td> <td>A3</td> <td>A4</td> <td>A5</td> <td>A6</td> <td>A7</td> <td>A8</td> <td colspan="2">PCB board</td> <td colspan="2">PCB board</td> <td colspan="2">PCB board</td> </tr> <tr> <td colspan="4"></td> <td>B1</td> <td>B2</td> <td>B3</td> <td>B4</td> <td>B5</td> <td>B6</td> <td>B7</td> <td>B8</td> <td colspan="2">PCB board</td> <td colspan="2">PCB board</td> <td colspan="2">PCB board</td> </tr> </tbody> </table>											MATERIAL								WIRE CONNECTION TABLE								CAT.6A SSTP (4P*26AWG+ 2C*30AWG)				white / orange	orange	white / green	green	white / blue	blue	white / blue	blue	white / green	green	white / brown	brown	red	green					A1	A2	A3	A4	A5	A6	A7	A8	PCB board		PCB board		PCB board						B1	B2	B3	B4	B5	B6	B7	B8	PCB board		PCB board		PCB board			
MATERIAL								WIRE CONNECTION TABLE																																																																										
CAT.6A SSTP (4P*26AWG+ 2C*30AWG)				white / orange	orange	white / green	green	white / blue	blue		white / blue	blue	white / green	green	white / brown	brown	red	green																																																																
				A1	A2	A3	A4	A5	A6	A7	A8	PCB board		PCB board		PCB board																																																																		
				B1	B2	B3	B4	B5	B6	B7	B8	PCB board		PCB board		PCB board																																																																		
<table border="1"> <thead> <tr> <th colspan="3">CABLE COLOR</th> <th>red</th> <th>orange</th> <th>yellow</th> <th>green</th> <th>blue</th> <th>purple</th> <th>gray</th> <th>white</th> <th>black</th> </tr> </thead> <tbody> <tr> <td colspan="3">LENGTH</td> <td colspan="8">(A/B/C+80)*[25(0)]*[25(0)]</td> <td colspan="2">TOTAL</td> <td colspan="2">MOLD NO.</td> </tr> <tr> <td colspan="3">UNIT</td> <td colspan="8">mm</td> <td colspan="2">SCALE</td> <td colspan="2">SHEET</td> </tr> <tr> <td colspan="3">DRAWN DATE</td> <td colspan="8">2019/05/09</td> <td colspan="2">PROJ.</td> <td colspan="2">REV</td> </tr> <tr> <td colspan="3">APPROVAL</td> <td colspan="8">CHECKED</td> <td colspan="2">DRAWN</td> <td colspan="2">1</td> </tr> </tbody> </table>											CABLE COLOR			red	orange	yellow	green	blue	purple	gray	white	black	LENGTH			(A/B/C+80)*[25(0)]*[25(0)]								TOTAL		MOLD NO.		UNIT			mm								SCALE		SHEET		DRAWN DATE			2019/05/09								PROJ.		REV		APPROVAL			CHECKED								DRAWN		1	
CABLE COLOR			red	orange	yellow	green	blue	purple	gray	white	black																																																																							
LENGTH			(A/B/C+80)*[25(0)]*[25(0)]								TOTAL		MOLD NO.																																																																					
UNIT			mm								SCALE		SHEET																																																																					
DRAWN DATE			2019/05/09								PROJ.		REV																																																																					
APPROVAL			CHECKED								DRAWN		1																																																																					



NINGBO EXCELLENCE COMMUNICATED CONNECTOR CO.,LTD

宁波卓新通讯接插件有限公司



Issued  
2019. 11. 04  
R&D

NO.	Part Name	Material		DWG NO.	ASSEMBLY.SR-482		
1	PLUG HOUSING	PC UL 94-V2/50" gold plating		TITLE	CAT.6A SSTP TRACEABLE PATCH CORD		
2a	BUTTON	Red button	>1000 button press	UNIT	mm	SCALE	3/2
2b	BUTTON	Black button	>1000 button press	DRAWN DATE	2019/05/09	PROJ.	
3	LED	Red light		APPROVAL		CHECKED	
4	BATTERY	CR927 Lithium battery cell	>500 hours LED lighting	Carine	Zach	DRAWN	Ma
5a	BATTERY COVER	PC UL 94-V2					
5b	FULL COVER	PC UL 94-V2					